

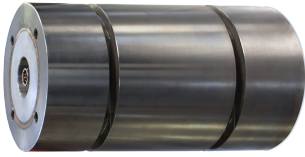


MSNST PIN LOAD CELL

120 TONS MODEL



264,554 LBS Shear-Pin Load Cell Description:



Measurement Specialists provides shear pin load cells as weight-monitoring solutions for overhead cranes, furnaces, and bridge hydraulics, amongst other applications. These clevis pin load cells are designed for long operational life and optimized for rigging measurement and rotational applications

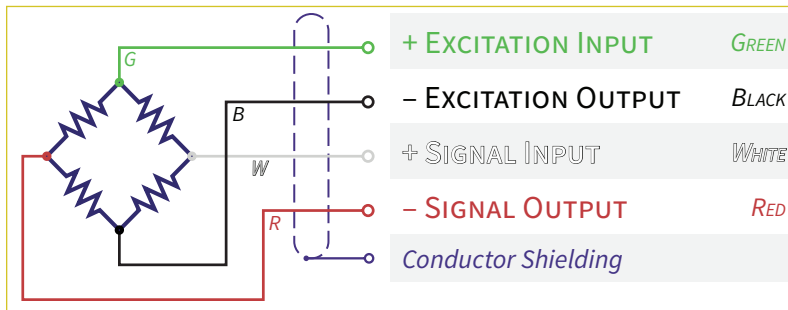
SPECIFICATIONS

Capacity	264,554 U.S. LBS
Maximum Overload	Safe: 150% Ultimate: 300%
Construction	17-4PH Stainless Steel + Braided Steel Cable 98.5' 4-Conductor Shielded
Temperature Range	10°F — 400°F
Excitation Voltage	10V — 15V AC/DC
Output Configurations	1.25mV / V ±0.1%
Bridge Resistance	350Ω Input & Output, ±1% ohms
Insulation Resistance	5000 MΩ min
Accuracy & Precision	Nonlinearity: 0.40% Repeatability: 0.20%
	Full-Scale Output Full-Scale Output

ASSEMBLY NO. 1800877



WIRING SCHEMATIC



400°F high-temperature construction option available

All calibrations conducted with traceability to NIST standards.

Please note that specifications or results may vary as we at Measurement Specialists can customize units per request, as needed.

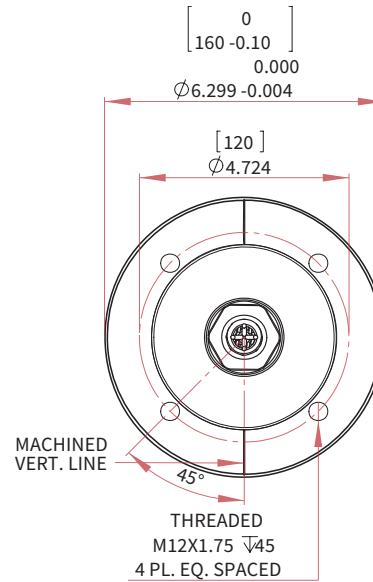
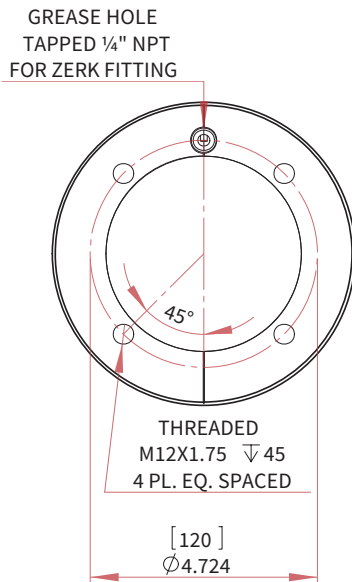
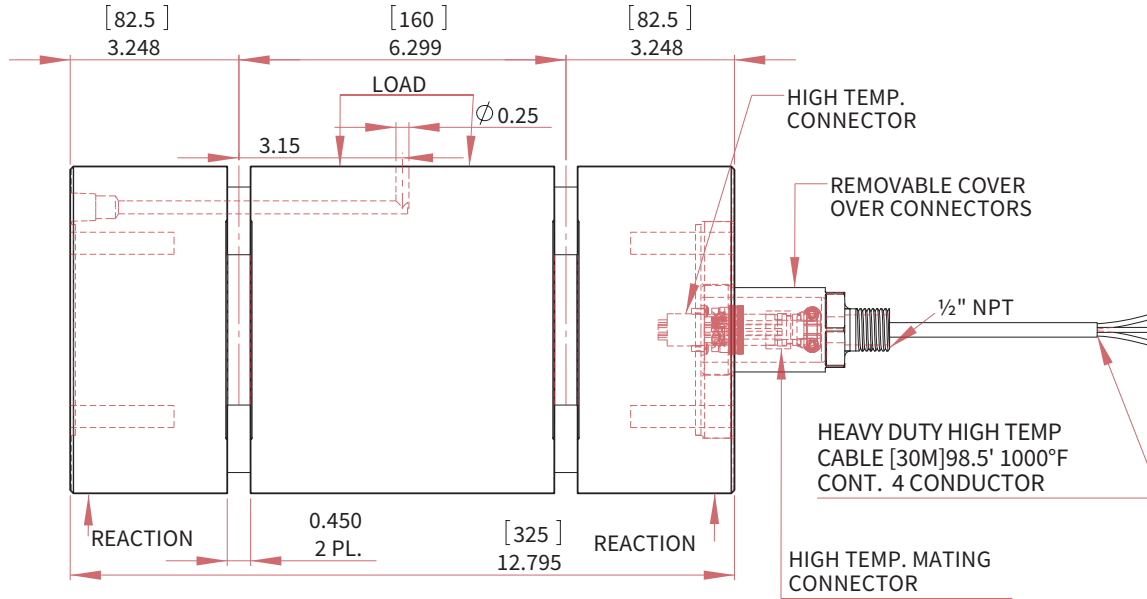


MSNST PIN LOAD CELL

120 TONS MODEL



264K | DIMENSIONS



160 West Park Loop Northwest, Huntsville, Alabama 35806-1744

Toll-Free: (800) 264-9990
www.msnst.com

**MEASUREMENT
SPECIALISTS**
NATIONAL SCALE TECHNOLOGY

Page 2 of 2

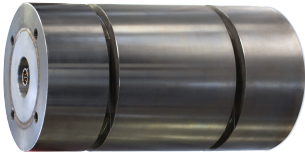


MSNST PIN LOAD CELL

32,500 LBS MODEL



32,500 LBS Shear-Pin Load Cell Description:



Measurement Specialists provides shear pin load cells as weight-monitoring solutions for overhead cranes, furnaces, and bridge hydraulics, amongst other applications. These clevis pin load cells are designed for long operational life and optimized for rigging measurement and rotational applications.

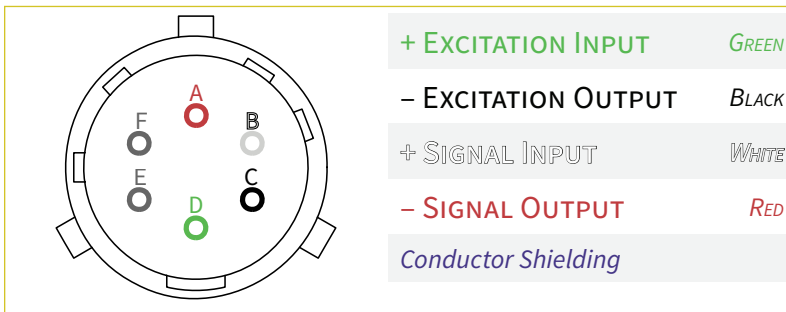
SPECIFICATIONS

Capacity	32,500 U.S. LBS	
Maximum Overload	Safe: 250%	Ultimate: 450%
Construction	17-4PH Stainless Steel + 6-Pin Connector MIL-SPEC	
Temperature Range	10°F — 400°F	
Excitation Voltage	10V — 15V AC/DC	
Output Configurations	1.25mV / V ±0.1%	
Bridge Resistance	350Ω Input & Output, ±1% ohms	
Insulation Resistance	5000 MΩ min	
Accuracy & Precision	Nonlinearity: 0.50% Full-Scale Output	Repeatability: 0.10% Full-Scale Output

ASSEMBLY NO. 1800900



WIRING SCHEMATIC



400°F high-temperature construction option available

All calibrations conducted with traceability to NIST standards.

Please note that specifications or results may vary as we at Measurement Specialists can customize units per request, as needed.

160 West Park Loop Northwest, Huntsville, Alabama 35806-1744

Toll-Free: (800) 264-9990
www.msnst.com

**MEASUREMENT
SPECIALISTS**
NATIONAL SCALE TECHNOLOGY

NAICS Codes:
334513 • 541330 • 811210

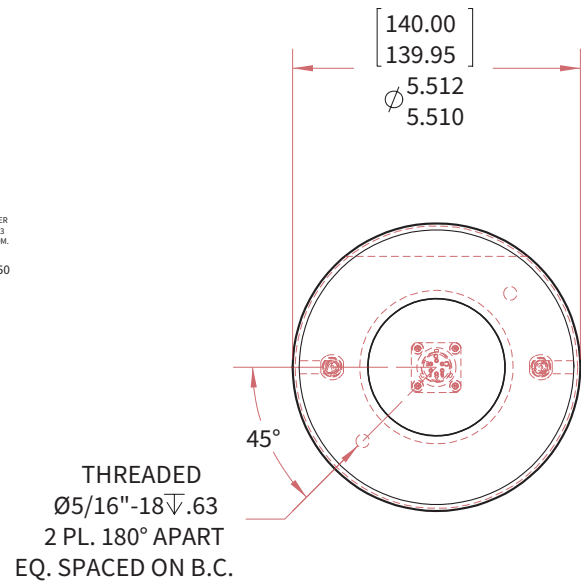
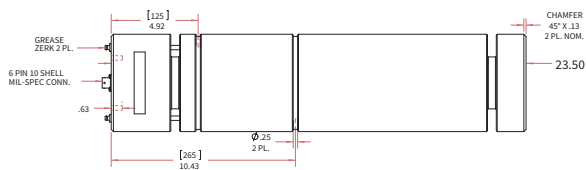
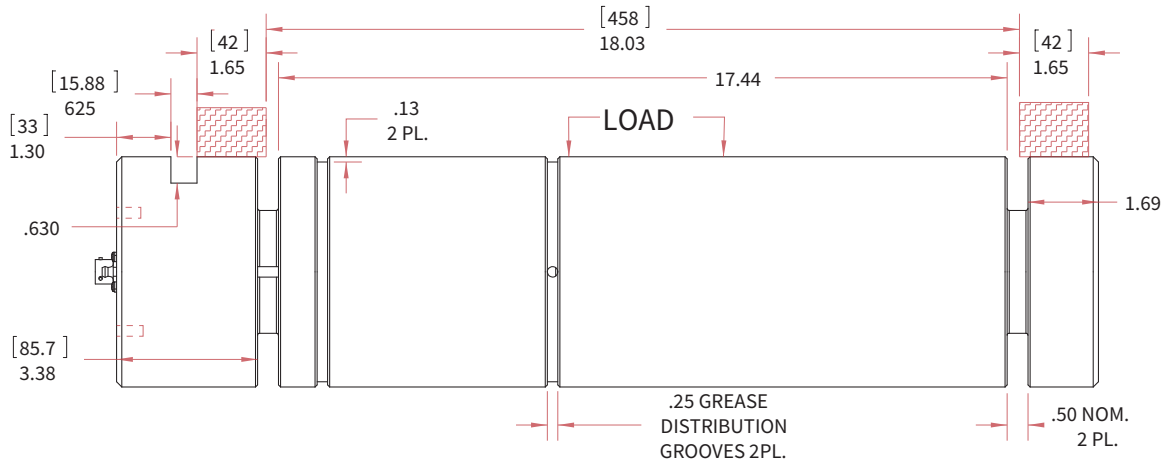


MSNST PIN LOAD CELL

32,500 LBS MODEL



32.5K | DIMENSIONS



160 West Park Loop Northwest, Huntsville, Alabama 35806-1744

Toll-Free: (800) 264-9990
www.msnst.com

**MEASUREMENT
SPECIALISTS**
NATIONAL SCALE TECHNOLOGY

NAICS Codes:
334513 • 541330 • 811210

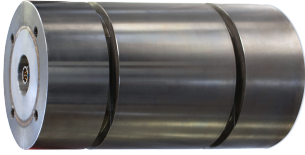


MSNST PIN LOAD CELL

120 TON MODEL



264,554 LBS Shear-Pin Load Cell Description:



Measurement Specialists provides shear pin load cells as weight-monitoring solutions for overhead cranes, furnaces, and bridge hydraulics, amongst other applications. These clevis pin load cells are designed for long operational life and optimized for rigging measurement and rotational applications.

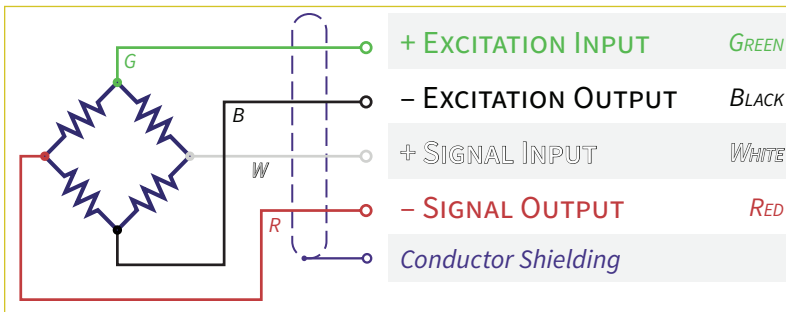
SPECIFICATIONS

Capacity	264,554 U.S. LBS	
Maximum Overload	Safe: 150%	Ultimate: 300%
Construction	17-4PH Stainless Steel + 6-Pin Connector <i>MIL-SPEC</i>	
Temperature Range	10°F — 400°F	
Excitation Voltage	10V — 15V AC/DC	
Output Configurations	1.25mV / V ±0.1%	
Bridge Resistance	350Ω Input & Output, ±1% ohms	
Insulation Resistance	5000 MΩ min	
Accuracy & Precision	Nonlinearity: 0.40%	Repeatability: 0.20%
	<i>Full-Scale Output</i>	<i>Full-Scale Output</i>

ASSEMBLY NO. 1800904



WIRING SCHEMATIC



400°F high-temperature construction option available

All calibrations conducted with traceability to NIST standards.

Please note that specifications or results may vary as we at Measurement Specialists can customize units per request, as needed.

160 West Park Loop Northwest, Huntsville, Alabama 35806-1744

Toll-Free: (800) 264-9990
www.msnst.com

**MEASUREMENT
SPECIALISTS**
NATIONAL SCALE TECHNOLOGY

NAICS Codes:
334513 • 541330 • 811210

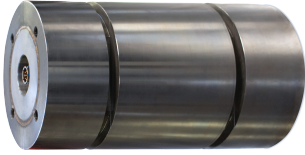


MSNST PIN LOAD CELL

440,000 LBS MODEL



440,000 LBS Shear-Pin Load Cell Description:



Measurement Specialists provides shear pin load cells as weight-monitoring solutions for overhead cranes, furnaces, and bridge hydraulics, amongst other applications. These clevis pin load cells are designed for long operational life and optimized for rigging measurement and rotational applications.

SPECIFICATIONS

ASSEMBLY NO. 1800918

Capacity	440,000	<i>U.S. LBS</i>
Maximum Overload	Safe: 250%	Ultimate: 500%
Construction	17-4PH Stainless Steel + 6-Pin Connector <i>MIL-SPEC</i>	
Temperature Range	10°F — 110°F	
Excitation Voltage	12V — 28V	<i>DC Only</i>
Output Configurations	4–20mA	$\pm 0.1\%$
Bridge Resistance	350Ω	<i>Input & Output, $\pm 1\%$ ohms</i>
Insulation Resistance	5000 MΩ	<i>min</i>
Accuracy & Precision	Nonlinearity: 0.40%	Repeatability: 0.10%
	<i>Full-Scale Output</i>	<i>Full-Scale Output</i>



All calibrations conducted with traceability to NIST standards.

Please note that specifications or results may vary as we at Measurement Specialists can customize units per request, as needed.

160 West Park Loop Northwest, Huntsville, Alabama 35806-1744

Toll-Free: (800) 264-9990
www.msnst.com

**MEASUREMENT
SPECIALISTS**
NATIONAL SCALE TECHNOLOGY

NAICS Codes:
334513 • 541330 • 811210

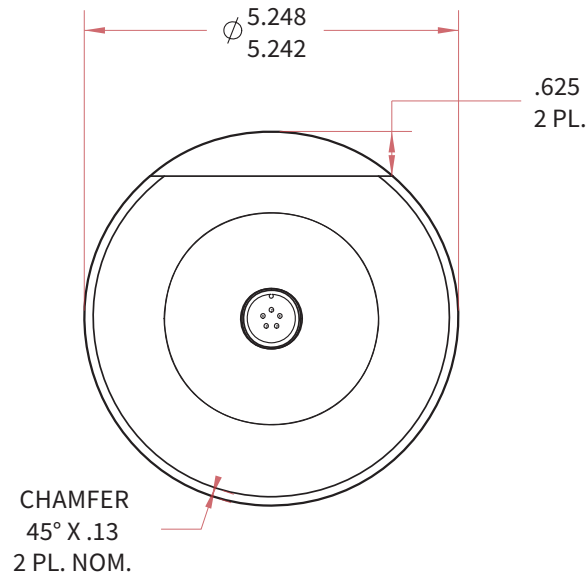
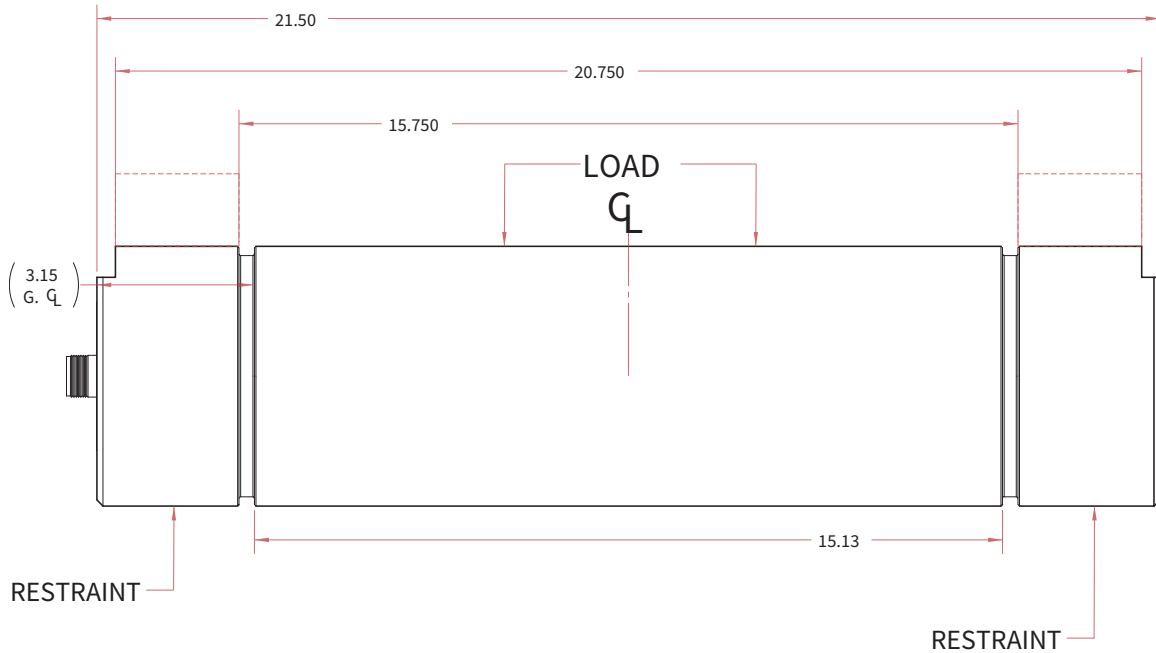


MSNST PIN LOAD CELL

440,000 LBS MODEL



440K | DIMENSIONS



160 West Park Loop Northwest, Huntsville, Alabama 35806-1744

Toll-Free: (800) 264-9990
www.msnst.com

**MEASUREMENT
SPECIALISTS**
NATIONAL SCALE TECHNOLOGY

NAICS Codes:
334513 • 541330 • 811210

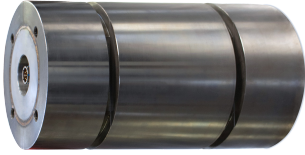


MSNST PIN LOAD CELL

37,300 LBS MODEL



37,300 LBS Shear-Pin Load Cell Description:

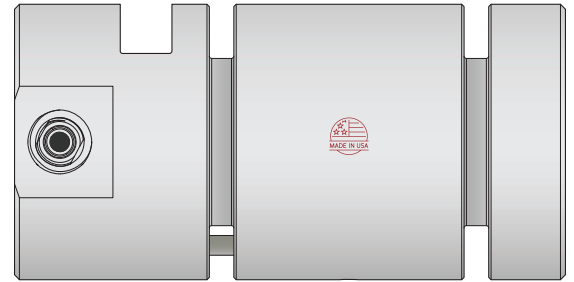


Measurement Specialists provides shear pin load cells as weight-monitoring solutions for overhead cranes, furnaces, and bridge hydraulics, amongst other applications. These clevis pin load cells are designed for long operational life and optimized for rigging measurement and rotational applications.

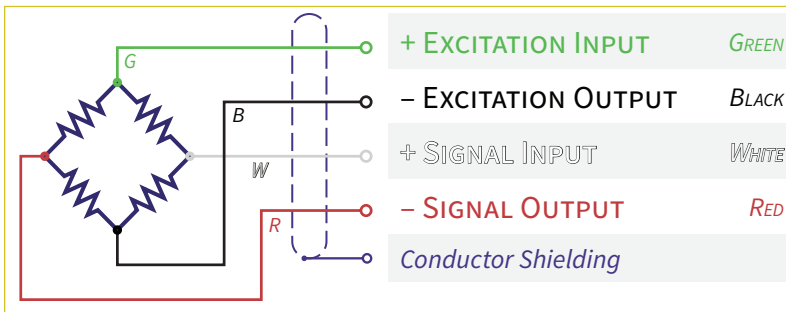
SPECIFICATIONS

Capacity	37,300 U.S. LBS	
Maximum Overload	Safe: 250%	Ultimate: 500%
Construction	17-4PH Stainless Steel + Heavy-Duty Polyurethane Cable 25' 4-Conductor Shielded	
Temperature Range	10°F — 110°F	
Excitation Voltage	10V — 15V AC/DC	
Output Configurations	1.25mV / V ±0.1%	
Bridge Resistance	350Ω Input & Output, ±1% ohms	
Insulation Resistance	5000 MΩ min	
Accuracy & Precision	Nonlinearity: 0.50%	Repeatability: 0.10%
	Full-Scale Output	Full-Scale Output

ASSEMBLY NO. 1800939



WIRING SCHEMATIC



All calibrations conducted with traceability to NIST standards.

Please note that specifications or results may vary as we at Measurement Specialists can customize units per request, as needed.

160 West Park Loop Northwest, Huntsville, Alabama 35806-1744

Toll-Free: (800) 264-9990
www.msnst.com

**MEASUREMENT
SPECIALISTS**
NATIONAL SCALE TECHNOLOGY

NAICS Codes:
334513 • 541330 • 811210

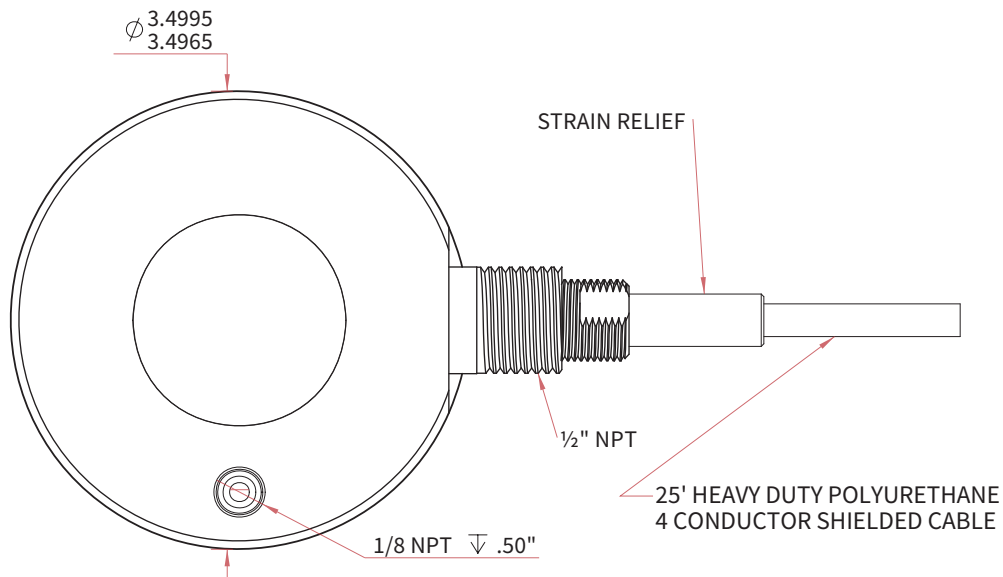
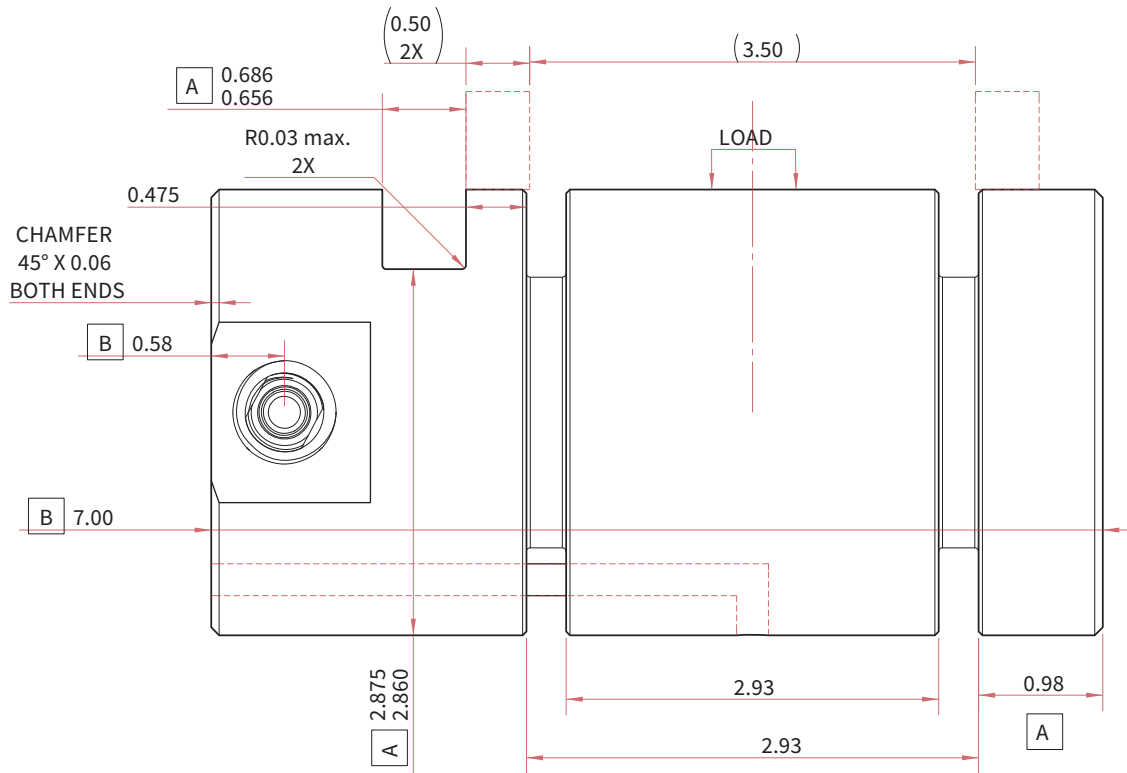


MSNST PIN LOAD CELL

37,300 LBS MODEL



37.3K | DIMENSIONS



160 West Park Loop Northwest, Huntsville, Alabama 35806-1744

Toll-Free: (800) 264-9990
www.msnst.com

**MEASUREMENT
SPECIALISTS**
NATIONAL SCALE TECHNOLOGY

NAICS Codes:
334513 • 541330 • 811210

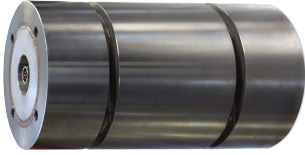


MSNST PIN LOAD CELL

400,00 LBS MODEL



400,000 LBS Shear-Pin Load Cell Description:

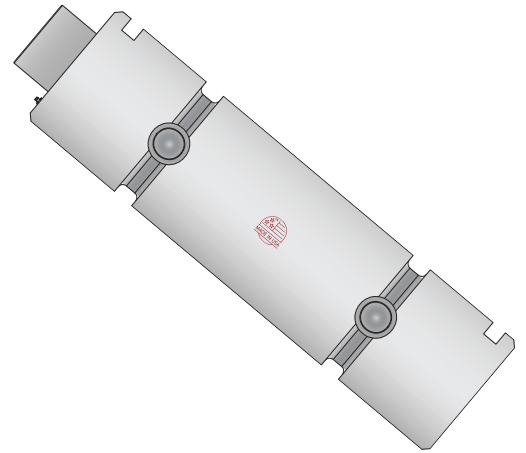


Measurement Specialists provides shear pin load cells as weight-monitoring solutions for overhead cranes, furnaces, and bridge hydraulics, amongst other applications. These clevis pin load cells are designed for long operational life and optimized for rigging measurement and rotational applications.

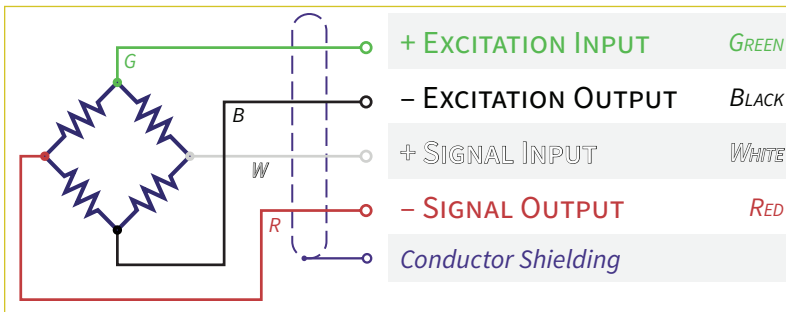
SPECIFICATIONS

Capacity	400,000 U.S. LBS	
Maximum Overload	Safe: 250%	Ultimate: 500%
Construction	17-4PH Stainless Steel + 4-Pin Connector <i>MIL-SPEC</i>	
Temperature Range	10°F — 4000°F	
Excitation Voltage	10V — 15V AC/DC	
Output Configurations	0.70mV / V ±0.1%	
Bridge Resistance	350Ω Input & Output, ±1% ohms	
Insulation Resistance	5000 MΩ min	
Accuracy & Precision	Nonlinearity: 0.75% <i>Full-Scale Output</i>	Repeatability: 0.10% <i>Full-Scale Output</i>

ASSEMBLY NO. 1800958



WIRING SCHEMATIC



All calibrations conducted with traceability to NIST standards.

Please note that specifications or results may vary as we at Measurement Specialists can customize units per request, as needed.

160 West Park Loop Northwest, Huntsville, Alabama 35806-1744

Toll-Free: (800) 264-9990
sales@msnst.com

**MEASUREMENT
SPECIALISTS**
NATIONAL SCALE TECHNOLOGY

NAICS Codes:
334513 • 541330 • 811210

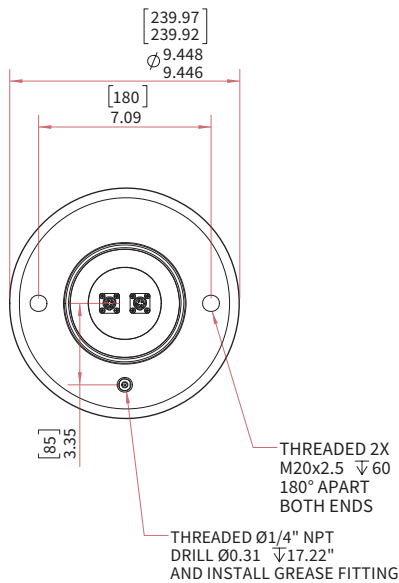
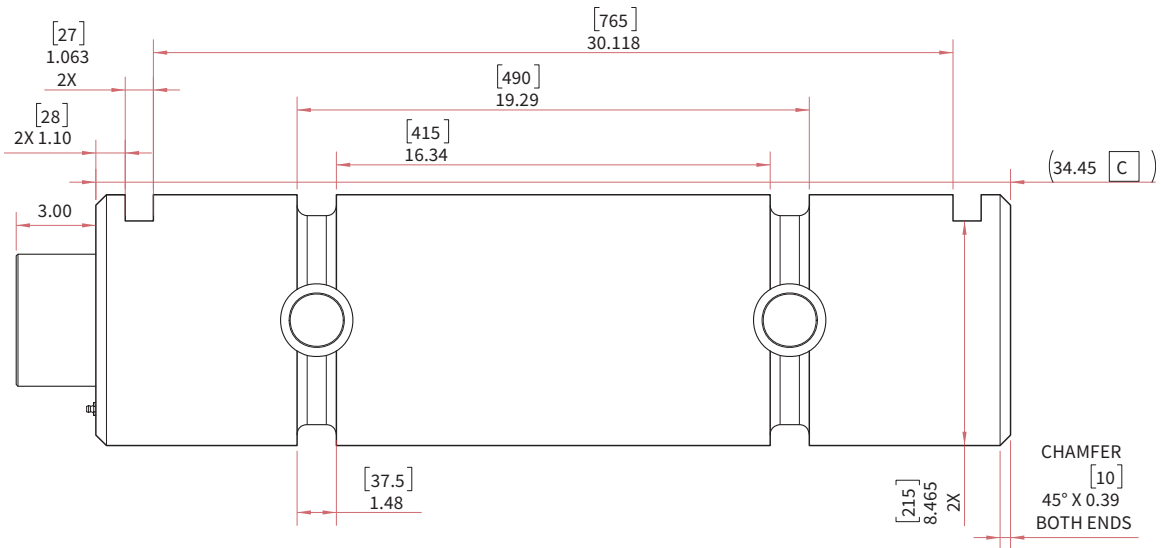


MSNST PIN LOAD CELL

400,00 LBS MODEL



400K | DIMENSIONS



160 West Park Loop Northwest, Huntsville, Alabama 35806-1744

Toll-Free: (800) 264-9990
sales@msnst.com

**MEASUREMENT
SPECIALISTS**
NATIONAL SCALE TECHNOLOGY

NAICS Codes:
334513 • 541330 • 811210



MSNST PIN LOAD CELL

30,000 LBS MODEL



30,000 LBS Shear-Pin Load Cell Description:

Measurement Specialists provides shear pin load cells as weight-monitoring solutions for overhead cranes, furnaces, and bridge hydraulics, amongst other applications. These clevis pin load cells are designed for long operational life and optimized for rigging measurement and rotational applications.

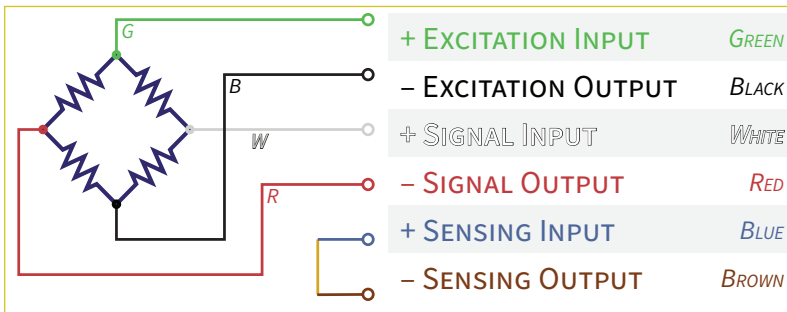
SPECIFICATIONS

Capacity	30,000 U.S. LBS	
Maximum Overload	Safe: 250%	Ultimate: 500%
Construction	17-4PH Stainless Steel + Heavy-Duty Polyurethane Cable X' 6-Conductor Shielded	
Temperature Range	10°F — 110°F	
Excitation Voltage	10V — 15V AC/DC	
Output Configurations	1.25mV / V ±0.1%	
Bridge Resistance	350Ω Input & Output, ±1% ohms	
Insulation Resistance	5000 MΩ min	
Accuracy & Precision	Nonlinearity: 0.75%	Repeatability: 0.10%
	Full-Scale Output	Full-Scale Output

ASSEMBLY NO. 1801007



WIRING SCHEMATIC



All calibrations conducted with traceability to NIST standards.

Please note that specifications or results may vary as we at Measurement Specialists can customize units per request, as needed.

160 West Park Loop Northwest, Huntsville, Alabama 35806-1744

Toll-Free: (800) 264-9990
www.msnst.com

**MEASUREMENT
SPECIALISTS**
NATIONAL SCALE TECHNOLOGY

NAICS Codes:
334513 • 541330 • 811210

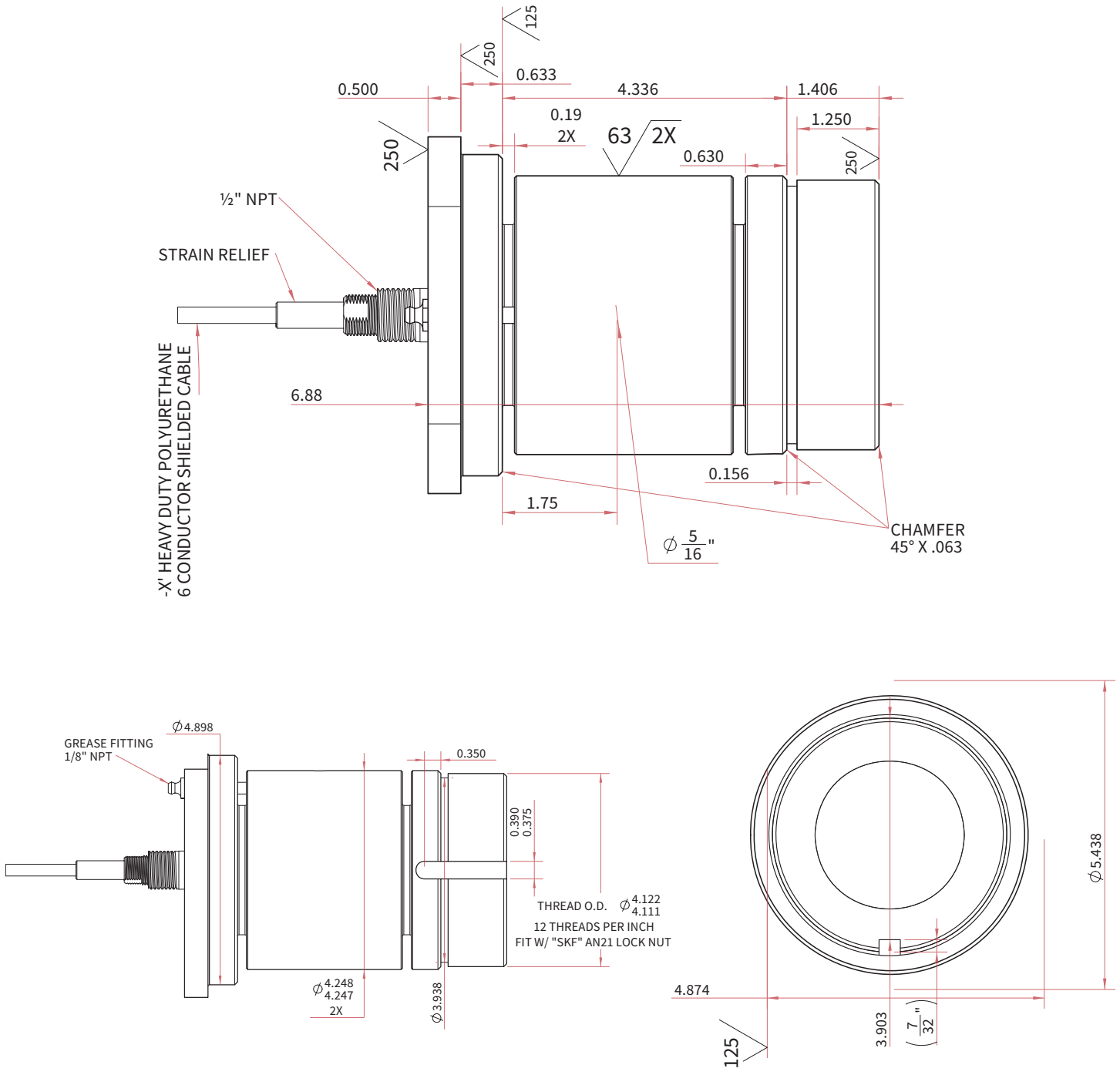


MSNST PIN LOAD CELL

30,000 LBS MODEL



30K | DIMENSIONS



160 West Park Loop Northwest, Huntsville, Alabama 35806-1744

Toll-Free: (800) 264-9990
www.msnst.com

**MEASUREMENT
SPECIALISTS**
NATIONAL SCALE TECHNOLOGY

NAICS Codes:
334513 • 541330 • 811210