



MSNST CANISTER LOAD CELL

500,000 — 660,000 LBS MODEL



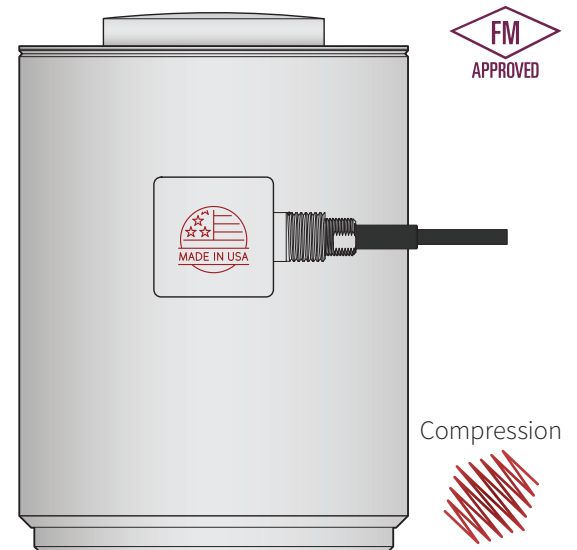
500K–660K Compression Canister Description:

Measurement Specialists offers a very durable canister load cell ideal for tough, high-capacity, and repetitive applications. Thanks to enclosed wiring, these load cells are great for pile testing and heavy-duty presses.

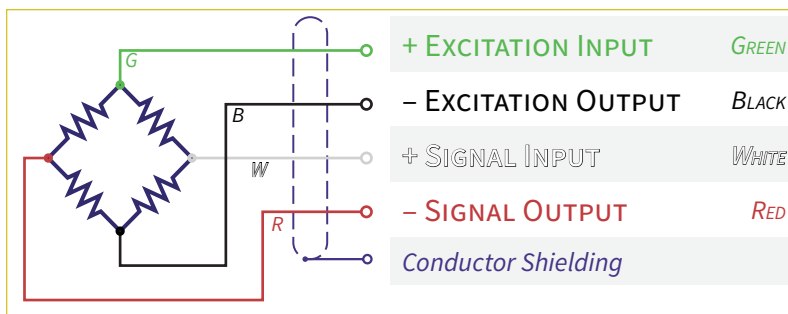
SPECIFICATIONS

Capacity	500,000 — 660,000 U.S. LBS	
Maximum Overload	Safe: 150%	Ultimate: 400%
Construction	17-4PH Stainless Steel (Hermetic) + Heavy-Duty Polyurethane Cable 25' 4-Conductor Shielded	
Temperature Range	10°F — 110°F	
Excitation Voltage	10V — 15V AC/DC	
Output Configurations	2mV / V ±0.1%	
Bridge Resistance	450Ω 480Ω Input & Output, ±1% ohms	
Insulation Resistance	5000 MΩ min	
Accuracy & Precision	Nonlinearity: 0.05% Full-Scale Output	Repeatability: 0.03% Full-Scale Output

UNIT No. 1100083



WIRING SCHEMATIC



All calibrations conducted with traceability to NIST standards.



Please note that specifications or results may vary as we at Measurement Specialists can customize units per request, as needed.

160 West Park Loop Northwest, Huntsville, Alabama 35806-1744

Toll-Free: (800) 264-9990
www.msnst.com

**MEASUREMENT
SPECIALISTS**
NATIONAL SCALE TECHNOLOGY

Page 1 of 2

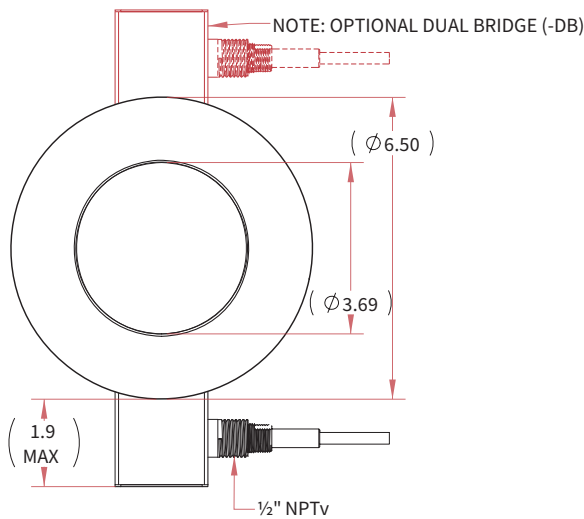
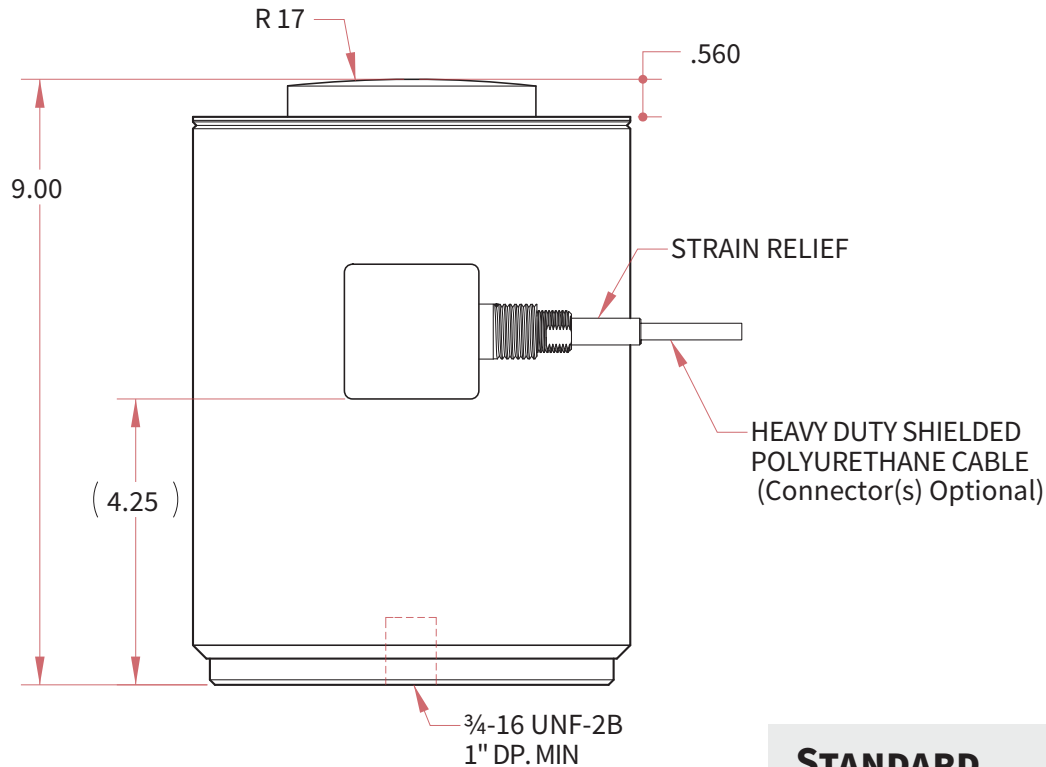


MSNST CANISTER LOAD CELL

500,000 – 660,000 LBS MODEL



1100083 | DIMENSIONS



STANDARD	PART #
500,000 LBS	1100083-500
600,000 LBS	1100083-600
660,000 LBS	1100083-660

Already have one of these or a compatible cell?
Measurement Specialists fixes weighing devices from any manufacturer!
 Along with replacement of all internal electronic components & other parts as needed, MSNST provides a full-scale calibration and 1-year warranty.

All repairs and calibrations completed within an average of 15-20 business days.

160 West Park Loop Northwest, Huntsville, Alabama 35806-1744

Toll-Free: (800) 264-9990
 www.msnst.com

**MEASUREMENT
 SPECIALISTS**
 NATIONAL SCALE TECHNOLOGY

Page 2 of 2



MSNST CANISTER LOAD CELL

100 – 10,000,000 LBS MODEL



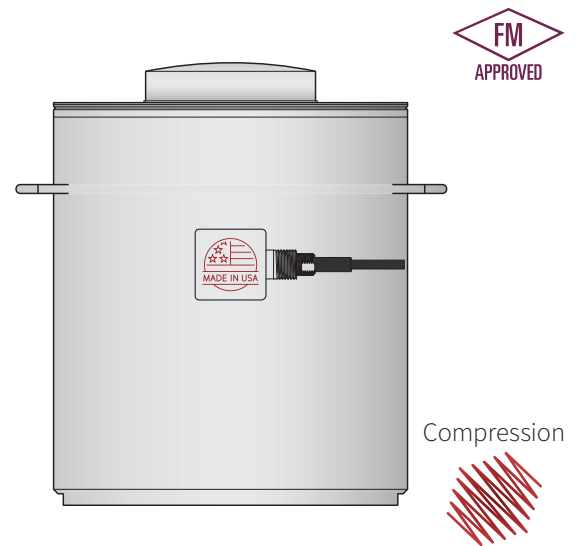
100–100K Compression Canister Description:

Measurement Specialists offers a very durable canister load cell ideal for tough, high-capacity, and repetitive applications. Thanks to enclosed wiring, these load cells are great for pile testing and heavy-duty presses.

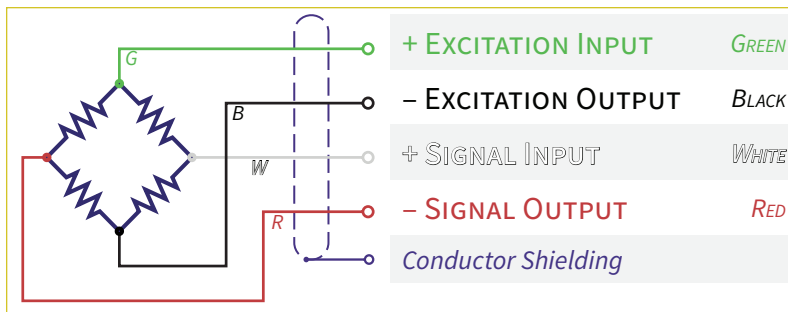
SPECIFICATIONS

Capacity	100 – 10,000,000 U.S. LBS	
Maximum Overload	Safe: 150%	Ultimate: 300%
Construction	Special Alloy Steel + Heavy-Duty Polyurethane Cable <i>Length' 4-Conductor Shielded</i>	
Temperature Range	10°F – 320°F	
Excitation Voltage	10V – 15V AC/DC	
Output Configurations	2mV / V – 3mV / V ±0.1%	
Bridge Resistance	480Ω Input & Output, ±1% ohms	
Insulation Resistance	5000 MΩ min	
Accuracy & Precision	Nonlinearity: 0.05% <i>Full-Scale Output</i>	Repeatability: 0.02% <i>Full-Scale Output</i>

UNIT No. 1100132



WIRING SCHEMATIC



All calibrations conducted with traceability to NIST standards.



Please note that specifications or results may vary as we at Measurement Specialists can customize units per request, as needed.

160 West Park Loop Northwest, Huntsville, Alabama 35806-1744

Toll-Free: (800) 264-9990
www.msnst.com

**MEASUREMENT
SPECIALISTS**
NATIONAL SCALE TECHNOLOGY

Page 1 of 2

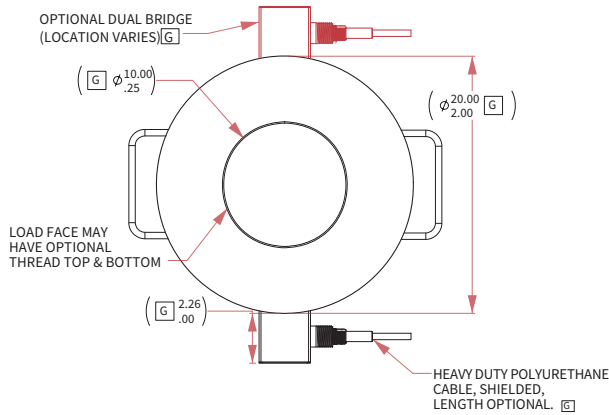
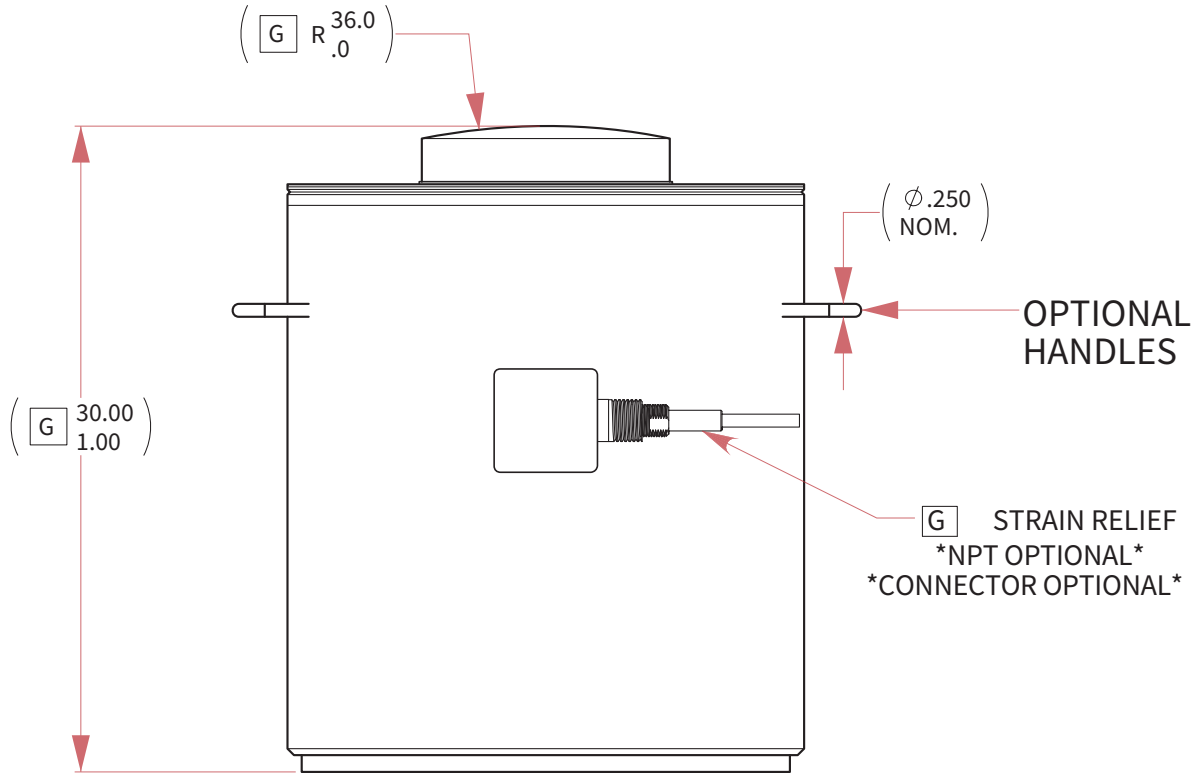


MSNST CANISTER LOAD CELL

100 – 10,000,000 LBS MODEL



1100132 | DIMENSIONS



STANDARD CAP.	MSNST PART #
1,000,000 LBS	110132-1000
1,500,000 LBS	1100132-1500

Already have one of these or a compatible cell?
Measurement Specialists fixes weighing devices from any manufacturer!
 Along with replacement of all internal electronic components & other parts as needed, MSNST provides a full-scale calibration and 1-year warranty.

All repairs and calibrations completed within an average of 15-20 business days.

160 West Park Loop Northwest, Huntsville, Alabama 35806-1744

Toll-Free: (800) 264-9990
 www.msnst.com

**MEASUREMENT
 SPECIALISTS**
 NATIONAL SCALE TECHNOLOGY

Page 2 of 2



MSNST CANISTER LOAD CELL

100,000 LBS MODEL



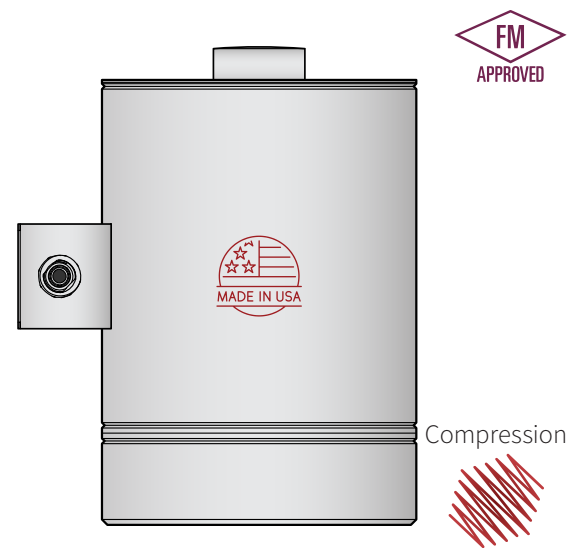
100K Compression Canister Description:

Measurement Specialists offers a very durable canister load cell ideal for tough, high-capacity, and repetitive applications. Thanks to enclosed wiring, these load cells are great for pile testing and heavy-duty presses.

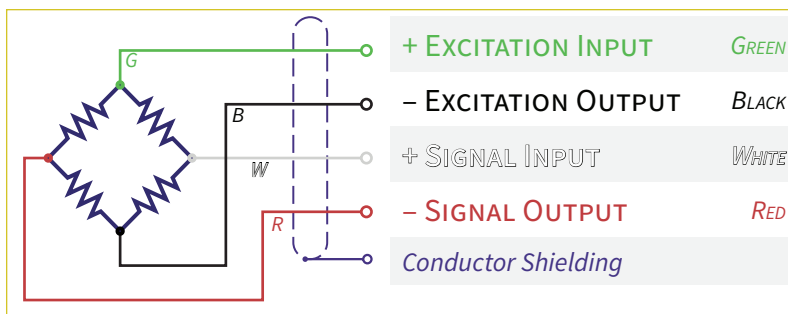
SPECIFICATIONS

Capacity	100,000 <i>U.S. LBS</i>	
Maximum Overload	Safe: 150%	Ultimate: 400%
Construction	17-4PH Stainless Steel + Heavy-Duty Polyurethane Cable <i>35' 4-Conductor Shielded</i>	
Temperature Range	10°F — 110°F	
Excitation Voltage	10V — 15V <i>AC/DC</i>	
Output Configurations	2mV / V $\pm 0.1\%$	
Bridge Resistance	350Ω <i>Input & Output, $\pm 1\%$ ohms</i>	
Insulation Resistance	5000 MΩ <i>min</i>	
Accuracy & Precision	Nonlinearity: 0.05%	Repeatability: 0.03%
	<i>Full-Scale Output</i>	<i>Full-Scale Output</i>

UNIT No. 1100841



WIRING SCHEMATIC



All calibrations conducted with traceability to NIST standards.



Please note that specifications or results may vary as we at Measurement Specialists can customize units per request, as needed.

160 West Park Loop Northwest, Huntsville, Alabama 35806-1744

Toll-Free: (800) 264-9990
www.msnst.com

**MEASUREMENT
SPECIALISTS**
NATIONAL SCALE TECHNOLOGY

Page 1 of 2

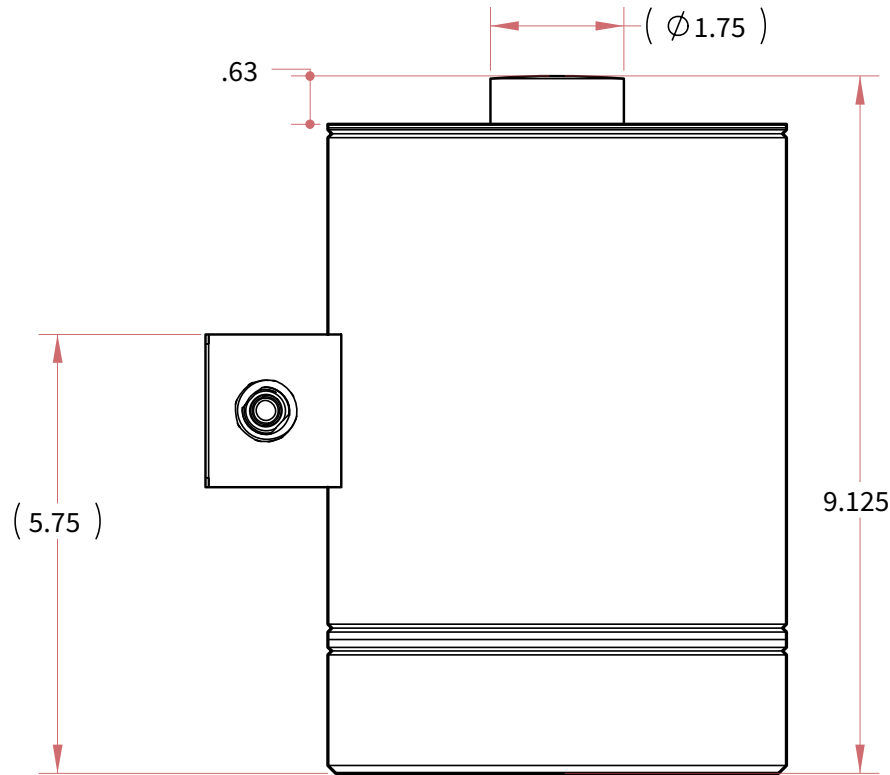


MSNST CANISTER LOAD CELL

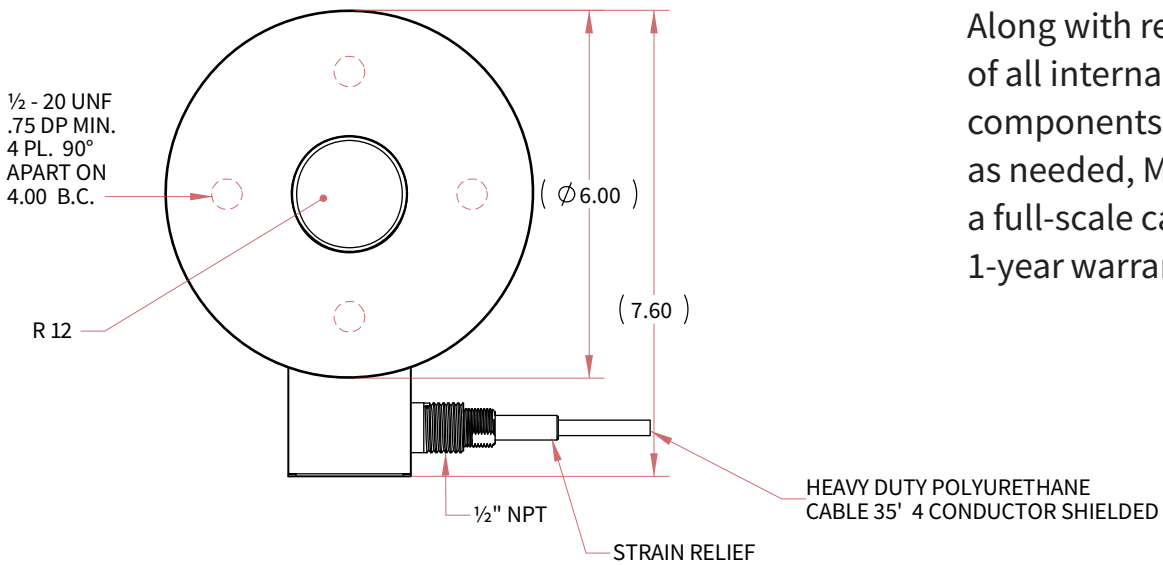
100,000 LBS MODEL



1100841 | DIMENSIONS



STANDARD	PART #
100,000 LBS	1100841-100



Already have one of these or a compatible cell?
Measurement Specialists fixes weighing devices from any manufacturer!
 Along with replacement of all internal electronic components & other parts as needed, MSNST provides a full-scale calibration and 1-year warranty.

All repairs and calibrations completed within an average of 15-20 business days.

160 West Park Loop Northwest, Huntsville, Alabama 35806-1744

Toll-Free: (800) 264-9990
 www.msnst.com

**MEASUREMENT
 SPECIALISTS**
 NATIONAL SCALE TECHNOLOGY

Page 2 of 2



MSNST CANISTER LOAD CELL

100,000 – 154,000 LBS MODEL



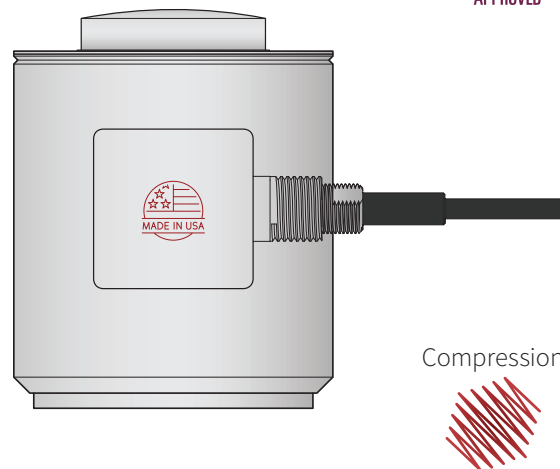
100K–154K Compression Canister Description:

Measurement Specialists offers a very durable canister load cell ideal for tough, high-capacity, and repetitive applications. Thanks to enclosed wiring, these load cells are great for pile testing and heavy-duty presses.

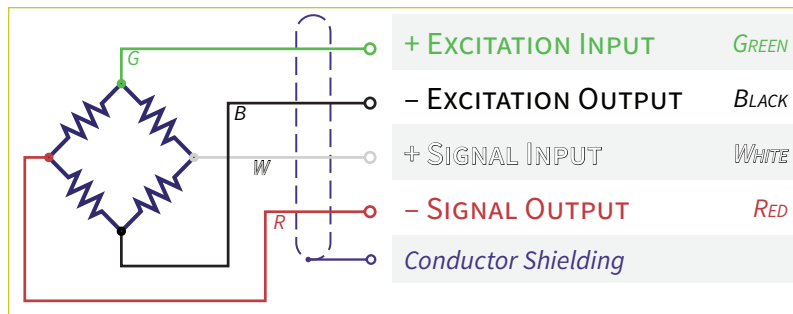
SPECIFICATIONS

Capacities	100,000 – 154,000 U.S. LBS	
Maximum Overload	Safe: 150%	Ultimate: 400%
Construction	17-4PH Stainless Steel (Hermetic) + Heavy-Duty Polyurethane Cable 30' 4-Conductor Shielded	
Temperature Range	10°F – 110°F	
Excitation Voltage	10V – 15V AC/DC	
Output Configurations	2mV / V ±0.1%	
Bridge Resistance	450Ω 480Ω Input & Output, ±1% ohms	
Insulation Resistance	5000 MΩ min	
Accuracy & Precision	Nonlinearity: 0.15% Full-Scale Output	Repeatability: 0.05% Full-Scale Output

UNIT No. 1100865



WIRING SCHEMATIC



All calibrations conducted with traceability to NIST standards.



Please note that specifications or results may vary as we at Measurement Specialists can customize units per request, as needed.

160 West Park Loop Northwest, Huntsville, Alabama 35806-1744

Toll-Free: (800) 264-9990
www.msnst.com

**MEASUREMENT
SPECIALISTS**
NATIONAL SCALE TECHNOLOGY

Page 1 of 2

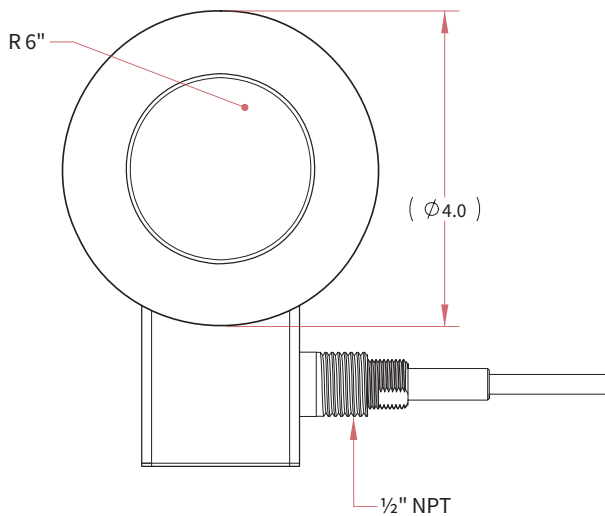
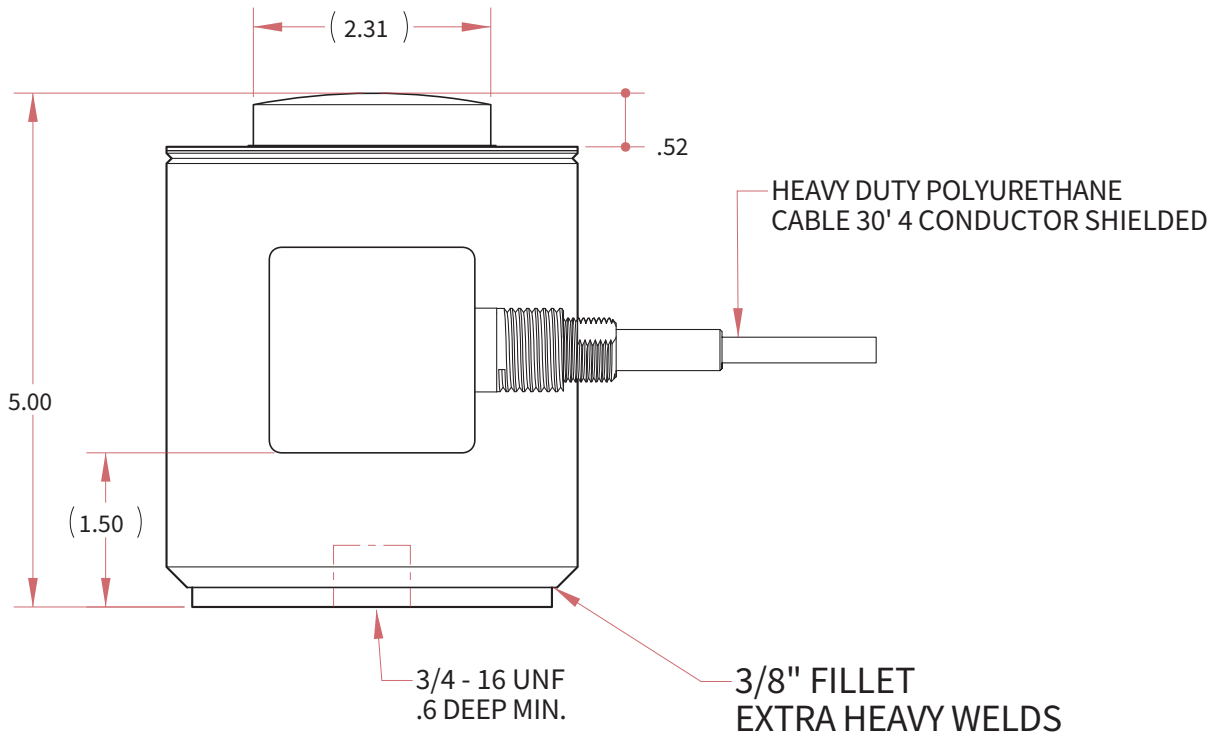


MSNST CANISTER LOAD CELL

100,000 – 154,000 LBS MODEL



1100865 | DIMENSIONS



STANDARD CAP.	MSNST PART #
100,000 LBS	1100865-100
154,000 LBS	1100865-154

Already have one of these or a compatible cell?
Measurement Specialists fixes weighing devices from any manufacturer!
 Along with replacement of all internal electronic components & other parts as needed, MSNST provides a full-scale calibration and 1-year warranty.

All repairs and calibrations completed within an average of 15-20 business days.

160 West Park Loop Northwest, Huntsville, Alabama 35806-1744

Toll-Free: (800) 264-9990
 www.msnst.com

**MEASUREMENT
 SPECIALISTS**
 NATIONAL SCALE TECHNOLOGY

Page 2 of 2



MSNST CANISTER LOAD CELL

200 – 300,000 LBS MODEL



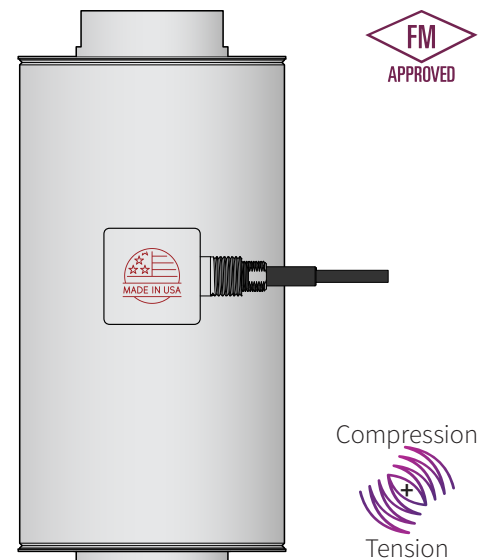
200–300K Universal Canister Description:

Measurement Specialists offers a very durable compression and tension canister load cell ideal for tough, high-capacity, and repetitive applications. Thanks to enclosed wiring, these load cells are great for pile testing and heavy-duty presses.

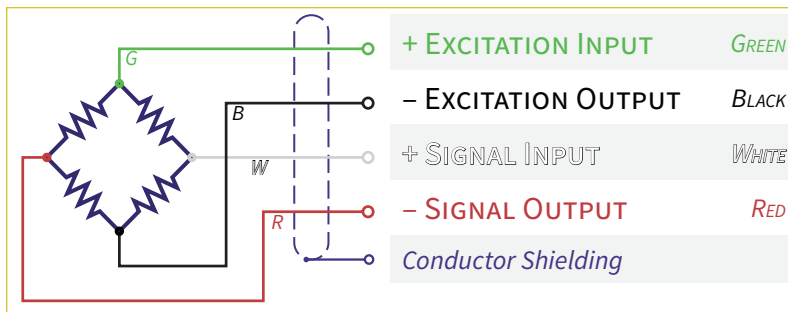
SPECIFICATIONS

Capacity	200 – 300,000 U.S. LBS		
Maximum Overload	Safe: 150%	Ultimate: 400%	
Construction	17-4PH Stainless Steel (Hermetic) + Heavy-Duty Polyurethane Cable 25' 4-Conductor Shielded		
Temperature Range	0°F – 150°F Compensated		
Excitation Voltage	10V – 20V AC/DC		
Output Configurations	2mV / V ±0.1%		
Bridge Resistance	480Ω Input & Output, ±1% ohms		
Insulation Resistance	5000 MΩ min		
Accuracy & Precision	Nonlinearity: 0.05%	Repeatability: 0.02%	Hysteresis: 0.03%
	Full-Scale Output	Full-Scale Output	Full-Scale Output

UNIT No. 1200151



WIRING SCHEMATIC



All calibrations conducted with traceability to NIST standards.



Please note that specifications or results may vary as we at Measurement Specialists can customize units per request, as needed.

160 West Park Loop Northwest, Huntsville, Alabama 35806-1744

Toll-Free: (800) 264-9990
www.msnst.com

**MEASUREMENT
SPECIALISTS**
NATIONAL SCALE TECHNOLOGY

Page 1 of 2

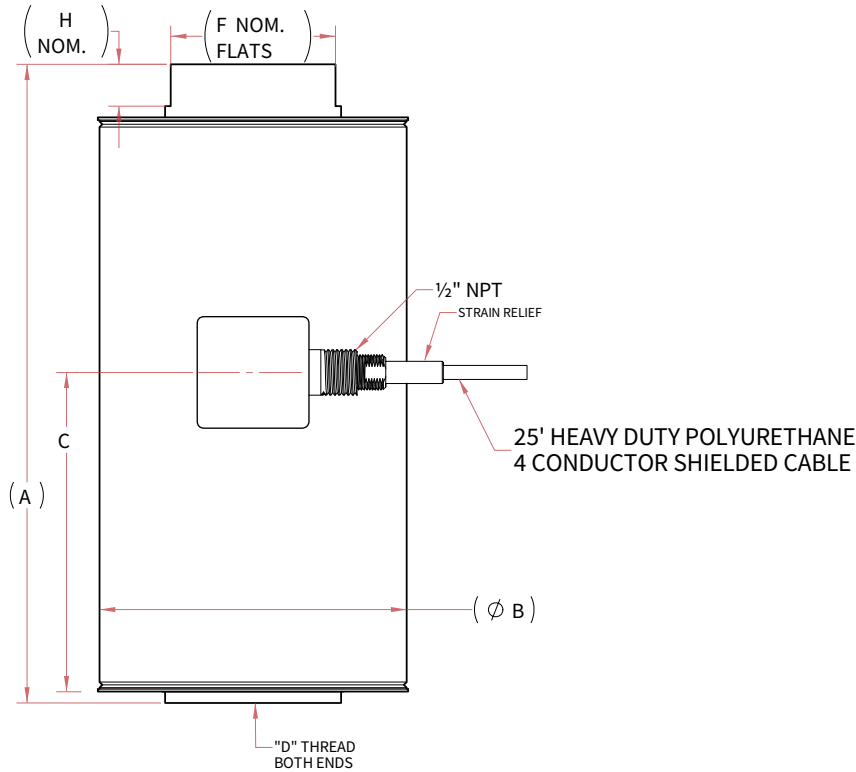


MSNST CANISTER LOAD CELL

200 – 300,000 LBS MODEL



1200151 | DIMENSIONS



STANDARD	PART #
200 LBS	1200151-.2
500 LBS	1200151-.5
2,500 LBS	1200151-2.5
5,000 LBS	1200151-5
25,000 LBS	1200151-25
50,000 LBS	1200151-50
100,000 LBS	1200151-100
300,000 LBS	1200151-300

A	B	C	D	F	H
4.45 inches	2.50 in	2.20"	3/8"-24 UNF	0.688"	0.325"
4.45 in	2.50"	2.20"	0.5"-20 UNF	0.688"	0.325"
3.00"	2.25"	1.56"	0.5"-20 UNF	0.688"	0.325"
5.75"	3.00"	2.81"	1"-14 UNS	1.250"	0.700"
8.38"	4.00"	5.87"	1.5"-12 UN	2.2540"	0.750"
11.44"	5.50"	5.72"	2"-12 UN	2.950"	0.750"
17.75"	9.00"	8.87"	3"-8 UN		
20.00"	10.00"	9.75"	4"-8 UN		

All repairs and calibrations completed within an average of 15-20 business days.

160 West Park Loop Northwest, Huntsville, Alabama 35806-1744

Toll-Free: (800) 264-9990
www.msnst.com

**MEASUREMENT
SPECIALISTS**
NATIONAL SCALE TECHNOLOGY

Page 2 of 2



MSNST CANISTER LOAD CELL

250 – 300,000 LBS MODEL



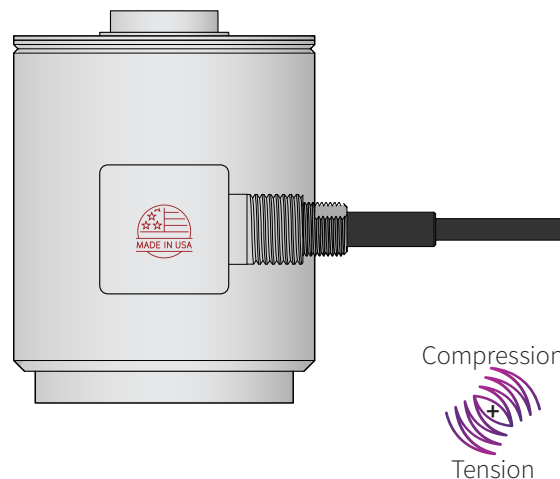
250–300K Universal Canister Description:

Measurement Specialists offers a very durable compression and tension canister load cell ideal for tough, high-capacity, and repetitive applications. Thanks to enclosed wiring, these load cells are great for pile testing and heavy-duty presses.

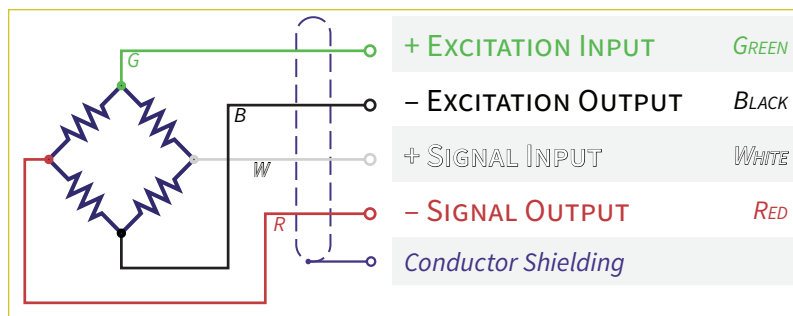
SPECIFICATIONS

UNIT No. 1201019

Capacity	200 – 300,000 U.S. LBS	
Maximum Overload	Safe: 150%	Ultimate: 300%
Construction	17-4PH Stainless Steel + Heavy-Duty Polyurethane Cable <i>120' 4-Conductor Shielded</i>	
Temperature Range	10°F – 110°F	
Excitation Voltage	10V – 15V AC/DC	
Output Configurations	2mV / V ±0.1%	
Bridge Resistance	350Ω Input & Output, ±1% ohms	
Insulation Resistance	5000 MΩ min	
Accuracy & Precision	Nonlinearity: 0.05% <i>Full-Scale Output</i>	Repeatability: 0.03% <i>Full-Scale Output</i>



WIRING SCHEMATIC



All calibrations conducted with traceability to NIST standards.



Please note that specifications or results may vary as we at Measurement Specialists can customize units per request, as needed.

160 West Park Loop Northwest, Huntsville, Alabama 35806-1744

Toll-Free: (800) 264-9990
www.msnst.com

**MEASUREMENT
SPECIALISTS**
NATIONAL SCALE TECHNOLOGY

Page 1 of 2

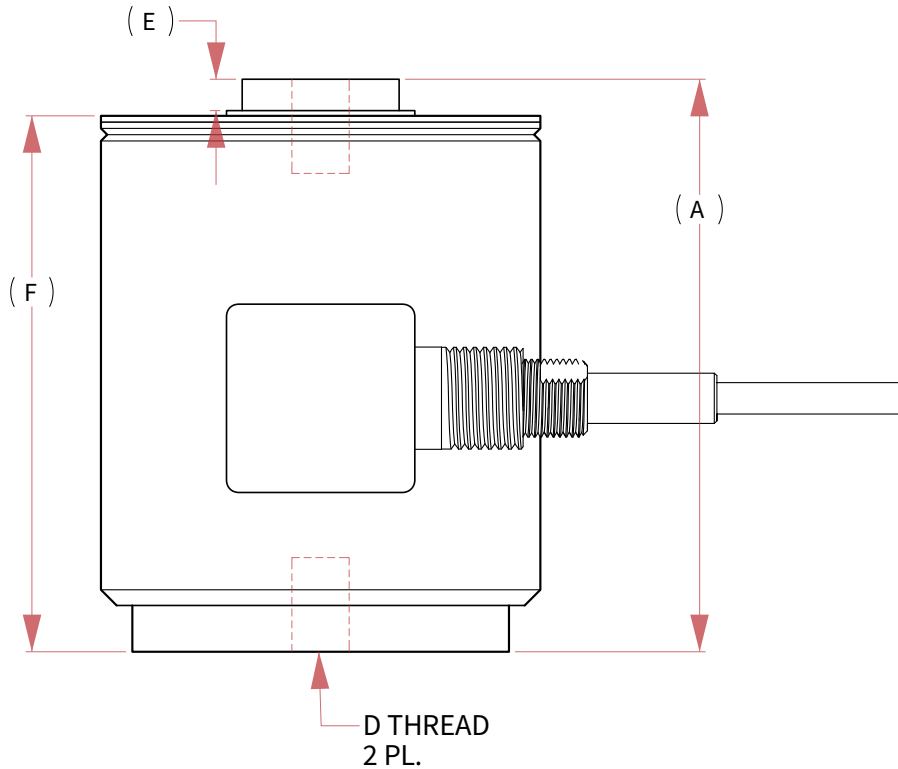


MSNST CANISTER LOAD CELL

250 – 300,000 LBS MODEL



1201019 | DIMENSIONS



STANDARD	PART #
250 LBS	1201019-.25
5,000 LBS	1201019-5
15,000 LBS	1201019-15
20,000 LBS	1201019-20
50,000 LBS	1201019-50
100,000 LBS	1201019-100
150,000 LBS	1201019-150

A	B	C	D	E	F
4.56 inches	3.50 in	1.27"	0.5"-20 UNF	0.25"	4.27"
5.94 in	3.50"	1.81"	1"-14 UNS	0.58"	5.37"
5.94"	4.00"	1.81"	1"-14 UNS	0.58"	5.37"
8.50"	4.00"	2.81"	1.5"-12 UN	0.63"	0.75"
11.43"	5.50"	3.19"	2"-12 UN	0.75"	10.29"
17.75"	9.00"	4.94"	3"-8 UN		
23.30"	11.50"	8.25"	4"-8 UN		

160 West Park Loop Northwest, Huntsville, Alabama 35806-1744